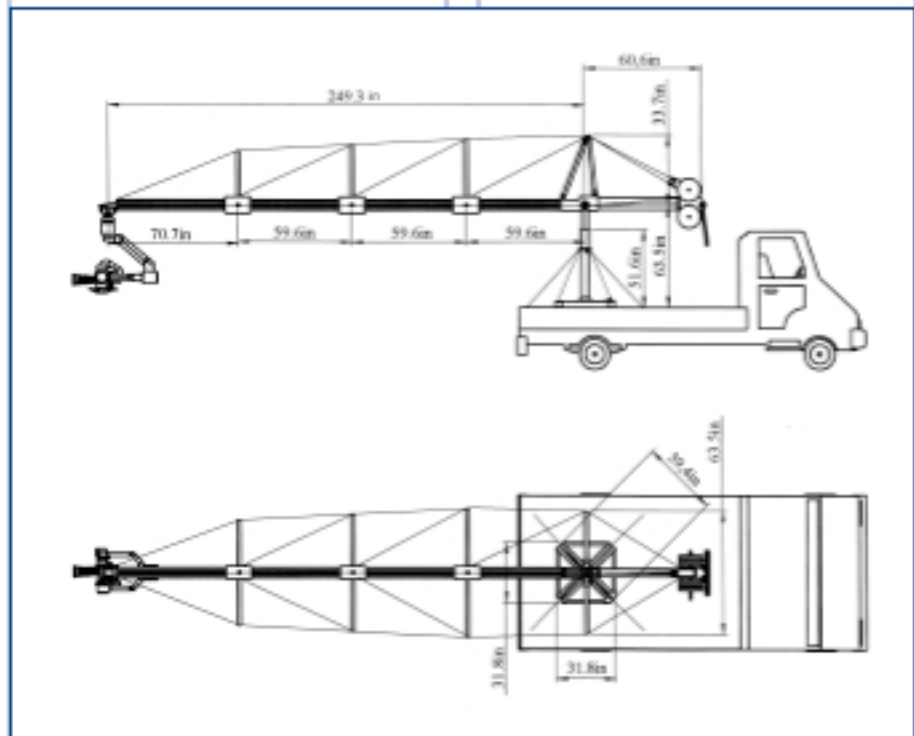




11822 Teale Street  
 Culver City, CA 90230  
 Phone: (310) 390-2500  
 Fax: (310) 390-2544  
<http://www.filmotechnic.net>

# CROSS-COUNTRY CRANE WITH FLIGHT HEAD



## SPECIFICATIONS

Boom length:		10'-15'-21'
Rotation of the boom	In horizontal plane	360 degrees
	In vertical plane	± 50 degrees
Weight of the crane:		1433 lbs/650kg
Maximum pay load at 10°		176lb
Maximum payload at 21 °		132lb
Setup time:		1.5hrs / 1 technician